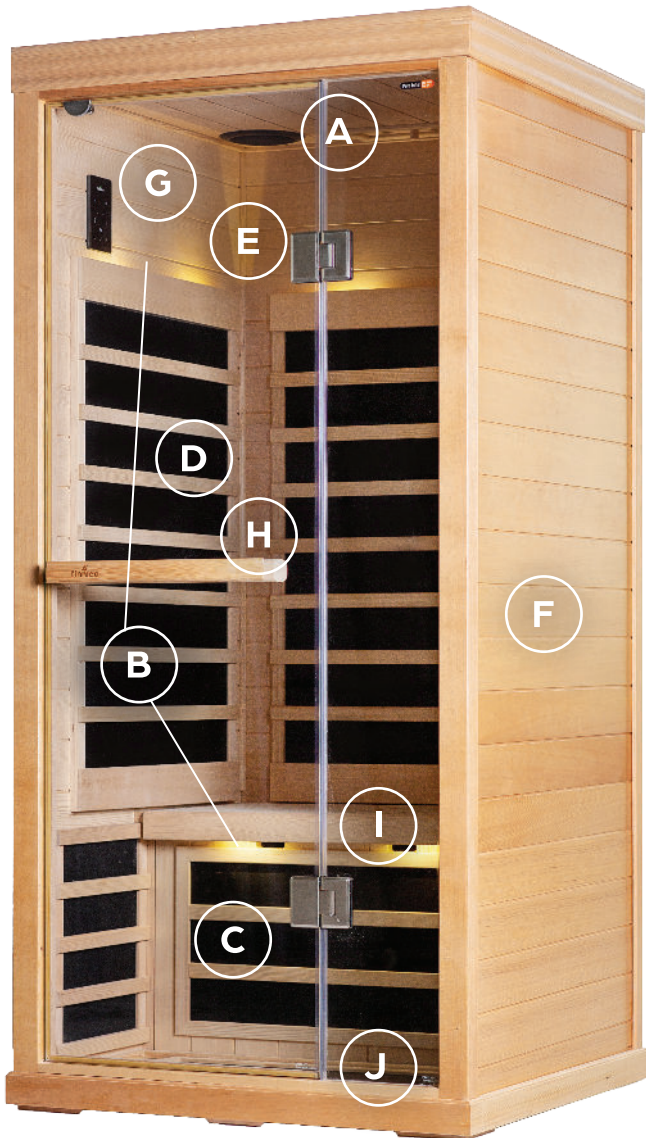


### 3'x3' Portable Infrared Sauna

Ideal for solo saunas, the S-810 envelopes you in deeply penetrating infrared heat. With a **footprint of only 9 square feet**, this sauna can fit somewhere inside almost every home and comes with all the features and benefits of larger options.



#### A. BLUETOOTH SOUND SYSTEM

Integral state-of-the-art sound with heat-resistant speakers. Just pair with your Bluetooth®-ready device.

#### B. ELEGANT LED LIGHTING

Great for relaxing and mood creation, with 6 color options.

#### C. FULL-SIZED CALF EMITTERS

For maximum lower extremity exposure to healthy far-infrared heat energy.

#### D. WALL-TO-WALL HEAT COVERAGE

No hot and cold spots here! Total immersion in the highest output of Low EMR & Low EF infrared heat energy in the industry.

#### E. ALL-GLASS FRONT WALL

Non-claustrophobic feel with a clean, contemporary look.

#### F. CANADIAN HEMLOCK INSIDE & OUT

Responsibly harvested sauna wood sealed with bio-friendly furniture grade finish.

#### G. IL2 CONTROL SYSTEM

The proprietary InfraLogic2 control is feature-rich and easy-to-use to set and schedule your sauna sessions. Extend control to your phone and operate your sauna from anywhere with the mobile app.

#### H. COMBINATION DOOR HANDLE

It's a door handle that doubles as a towel bar.

#### I. IN-BENCH FAR-INFRARED EMITTER

The only infrared sauna in the industry with this feature!

#### J. MATTE BLACK METALLIC FLOOR EMITTER

For complete head-to-toe comfort, rest your feet on the CarbonFlex™ far-infrared floor emitters.

#### SPECIFICATIONS



Seats 1



Inside only



Low EMR & EF



WiFi



Bluetooth



15-amp 120v.  
Standard Outlet

#### TECHNICAL

Dimensions: 36" W x 36" D x 76<sup>1/2</sup>" H

Weight: ~270 lbs.

Electrical: 15-amp 120 V  
standard outlet

#### CONSTRUCTION

Clear Canadian Hemlock  
construction

CarbonFlex™ Low  
EMR/Low EF heating system

"Pin-and-Hook" wall locking system

3" side and 5" overhead  
clearance required for installation

#### WARRANTY

IR Emitters: 5 years

Wood Cabinet: 5 years

Controls: 5 years

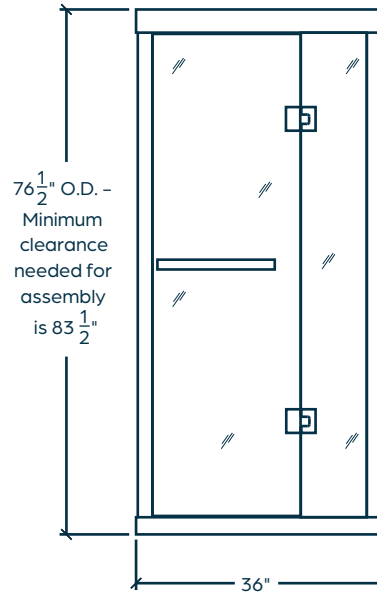


**ETL Listed for Safety**

Peace-of-mind  
for you and your  
loved ones.

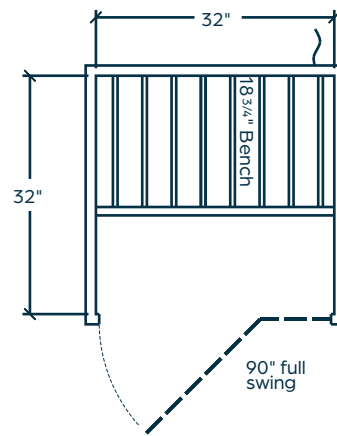


EXTERIOR FRONT WALL

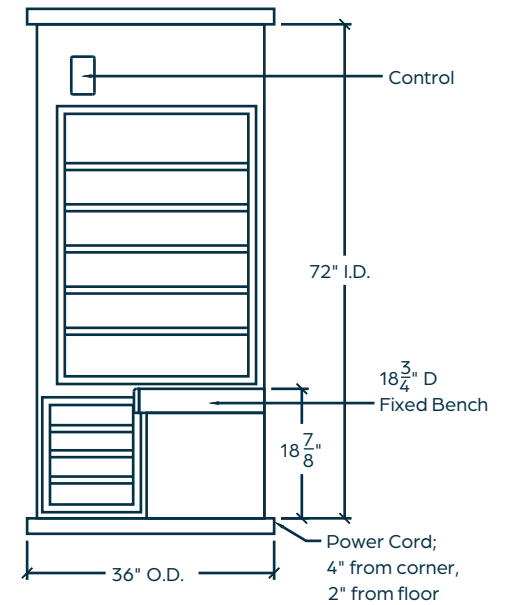


TOP DOWN VIEW

(w/ Interior Measurements)



INTERIOR LEFT WALL



Notes:

---



---



---



---



---

Dealer Contact Information:

---



---

## S-Series S-810

## PORTABLE SAUNA

Version: V4  
 Part Number: 9804-4410  
 Heater Model: CarbonFlex IR  
 Control Type: IL2 w/Wi-Fi  
 Voltage: 120

Phase: 1  
 Amps: 15  
 Watts: 1410  
 Ext. Wood: Canadian Hemlock  
 Int. Wood: Canadian Hemlock

Cord Length: 6'  
 Door Type: All-Glass, Clear  
 Door Dimensions: 21 <sup>5</sup>/<sub>8</sub>" x 68 <sup>3</sup>/<sub>4</sub>"  
 SQ. Footage: 7.1  
 CU. Footage: 43.6

Lighting Type: Under Bench/Valance  
 Largest Panel Size: 36" x 76 <sup>1</sup>/<sub>2</sub>"  
 Drawing Rev. Date: 4-27-2022  
 Shipping Weight (Palletized): ~345 lbs.

\*Finnleo / Sauna360 reserves the right to make changes to these measurements from time to time without notice.