

Compact, Forward-Facing 2-Person Portable Infrared Sauna

Slightly roomier than the S-820, the S-825 gives you a little more elbow room with 2 people so you can sauna with a friend and enjoy both the **infrared energy and the camaraderie.**



A. BLUETOOTH SOUND SYSTEM

Integral state-of-the-art sound with heat-resistant speakers. Just pair with your Bluetooth®-ready device.

B. ELEGANT LED LIGHTING

Great for relaxing and mood creation, with 6 color options.

C. FULL-SIZED CALF EMITTERS

For maximum lower extremity exposure to healthy far-infrared heat energy.

D. WALL-TO-WALL HEAT COVERAGE

No hot and cold spots here! Total immersion in the highest output of Low EMR & Low EF infrared heat energy in the industry.

E. ALL-GLASS FRONT WALL

Non-claustrophobic feel with a clean, contemporary look.

F. CANADIAN HEMLOCK INSIDE & OUT

Responsibly harvested sauna wood sealed with bio-friendly furniture grade finish.

G. IL2 CONTROL SYSTEM

The proprietary InfraLogic2 control is feature-rich and easy-to-use to set and schedule your sauna sessions. Extend control to your phone and operate your sauna from anywhere with the mobile app.

H. COMBINATION DOOR HANDLE

It's a door handle that doubles as a towel bar.







I. IN-BENCH FAR-INFRARED EMITTER

The only infrared sauna in the industry with this feature!

J. MATTE BLACK METALLIC FLOOR EMITTER

For complete head-to-toe comfort, rest your feet on the CarbonFlex™ far-infrared floor emitters.

SPECIFICATIONS

 Seats up to 2	 Inside only	 Low EMR & EF
 WiFi	 Bluetooth	 20-amp 120 V dedicated outlet

TECHNICAL

Dimensions: 64¹/₄" W x 42¹/₂" D x 76¹/₂" H
Weight: ~445 lbs.
Electrical: 20-amp 120 V dedicated outlet

CONSTRUCTION

Clear Canadian Hemlock construction
CarbonFlex™ Low EMR/Low EF heating system
"Pin-and-Hook" wall locking system
3" side and 5" overhead clearance required for installation

WARRANTY

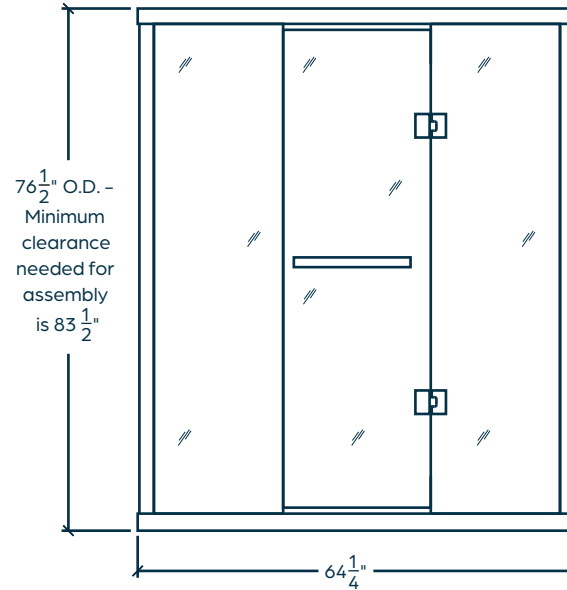
IR Emitters: 5 years
Wood Cabinet: 5 years
Controls: 5 years



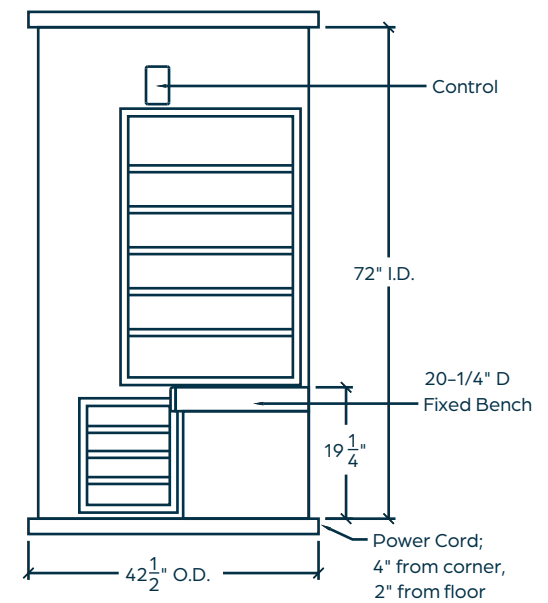
ETL Listed for Safety
Peace-of-mind for you and your loved ones.



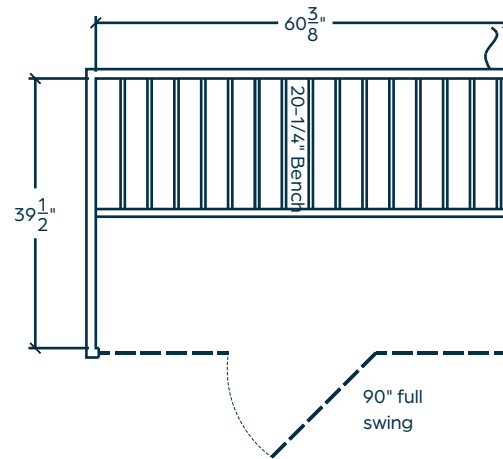
EXTERIOR FRONT WALL



INTERIOR LEFT WALL



TOP DOWN VIEW
(w/ Interior Measurements)



Notes:

Dealer Contact Information:

S-Series S-825

Version: V4
 Part Number: 9804-4430
 Heater Model: CarbonFlex IR
 Control Type: IL2 w/Wi-Fi
 Voltage: 120

Phase: 1
 Amps: 20
 Watts: 2040
 Ext. Wood: Canadian Hemlock
 Int. Wood: Canadian Hemlock

Cord Length: 6'
 Door Type: All-Glass, Clear
 Door Dimensions: 21⁵/₈" x 70"
 SQ. Footage: 16.6
 CU. Footage: 99.6

PORTABLE SAUNA

Lighting Type: Under Bench/Valance
 Largest Panel Size: 64¹/₄" x 76¹/₂"
 Drawing Rev. Date: 5-27-2022
 Shipping Weight (Palletized): ~520 lbs.

*Finnleo / Sauna360 reserves the right to make changes to these measurements from time to time without notice.