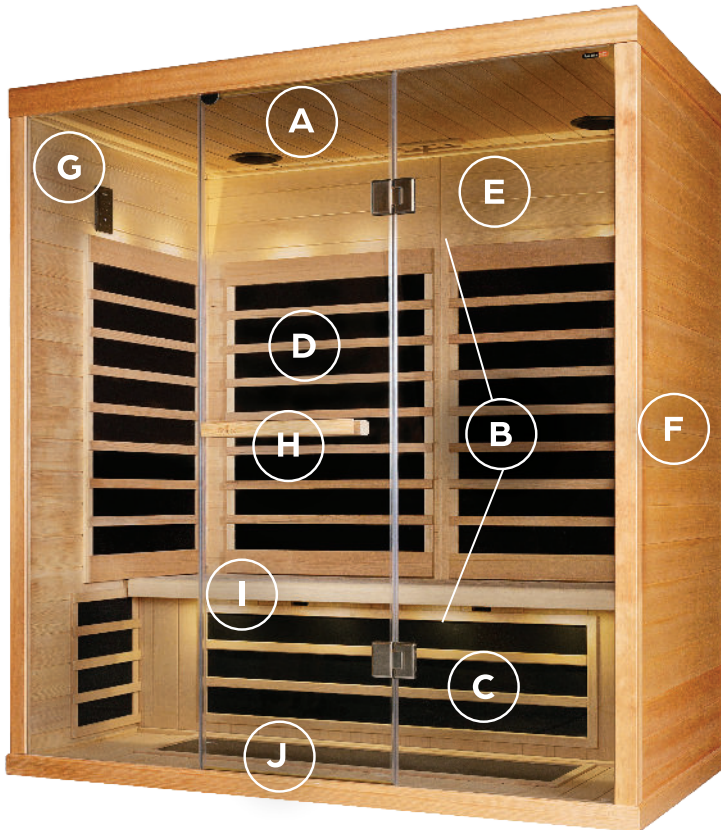


Spacious, Forward-Facing 3-Person Portable Infrared Sauna

The nearly 6' long bench makes the S-830 our most comfortable portable infrared sauna for lying down. Stretch out with room to spare or use the expanded space to **sauna together with a couple friends.**



A. BLUETOOTH SOUND SYSTEM

Integral state-of-the-art sound with heat-resistant speakers. Just pair with your Bluetooth®-ready device.

B. ELEGANT LED LIGHTING

Great for relaxing and mood creation, with 6 color options.

C. FULL-SIZED CALF EMITTERS

For maximum lower extremity exposure to healthy far-infrared heat energy.

D. WALL-TO-WALL HEAT COVERAGE

No hot and cold spots here! Total immersion in the highest output of Low EMR & Low EF infrared heat energy in the industry.

E. ALL-GLASS FRONT WALL

Non-claustrophobic feel with a clean, contemporary look.

F. CANADIAN HEMLOCK INSIDE & OUT

Responsibly harvested sauna wood sealed with bio-friendly furniture grade finish.

G. IL2 CONTROL SYSTEM

The proprietary InfraLogic2 control is feature-rich and easy-to-use to set and schedule your sauna sessions. Extend control to your phone and operate your sauna from anywhere with the mobile app.

H. COMBINATION DOOR HANDLE

It's a door handle that doubles as a towel bar.







I. IN-BENCH FAR-INFRARED EMITTER

The only infrared sauna in the industry with this feature!

J. MATTE BLACK METALLIC FLOOR EMITTER

For complete head-to-toe comfort, rest your feet on the CarbonFlex™ far-infrared floor emitters.

SPECIFICATIONS

 Seats up to 3	 Inside only	 Low EMR & EF
 WiFi	 Bluetooth	 20-amp 120v. Dedicated Outlet

TECHNICAL

Dimensions: 71^{3/8}" W x 42^{1/2}" D x 76^{1/2}" H
Weight: ~500 lbs.
Electrical: 20-amp 120V dedicated outlet

CONSTRUCTION

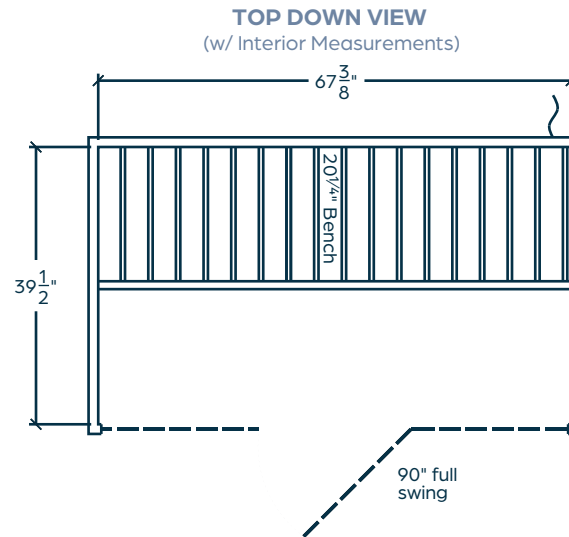
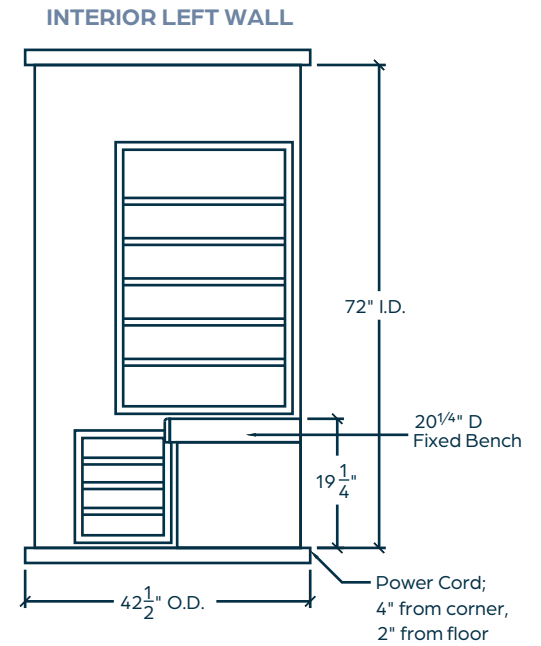
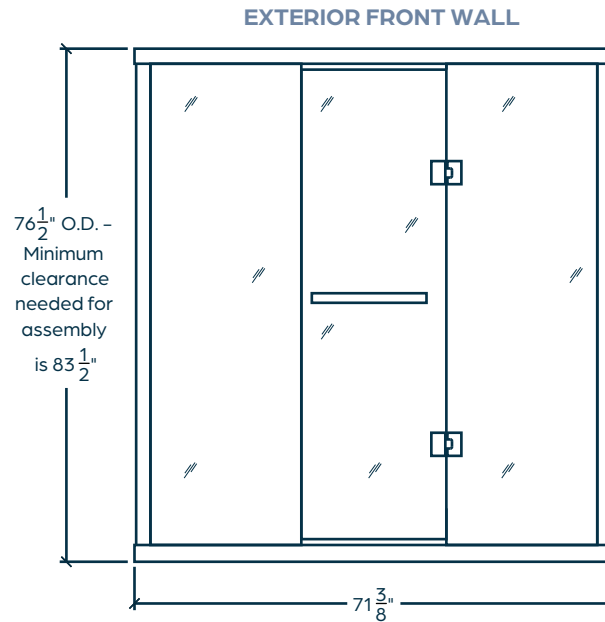
Clear Canadian Hemlock construction
CarbonFlex™ Low EMR/Low EF heating system
"Pin-and-Hook" wall locking system
3" side and 5" overhead clearance required for installation

WARRANTY

IR Emitters: 5 years
Wood Cabinet: 5 years
Controls: 5 years



ETL Listed for Safety
Peace-of-mind for you and your loved ones.



Notes:

Dealer Contact Information:

S-Series S-830

Version: V4
 Part Number: 9804-4440
 Heater Model: CarbonFlex IR
 Control Type: IL2 w/Wi-Fi
 Voltage: 120

Phase: 1
 Amps: 20
 Watts: 2040
 Ext. Wood: Canadian Hemlock
 Int. Wood: Canadian Hemlock

Cord Length: 6'
 Door Type: All-Glass, Clear
 Door Dimensions: 21 $\frac{5}{8}$ " x 70"
 SQ. Footage: 18.5
 CU. Footage: 111

PORTABLE SAUNA

Lighting Type: Under Bench/Valance
 Largest Panel Size: 42 $\frac{1}{2}$ " x 76 $\frac{1}{2}$ "
 Drawing Rev. Date: 5-27-2022
 Shipping Weight (Palletized): ~575 lbs.