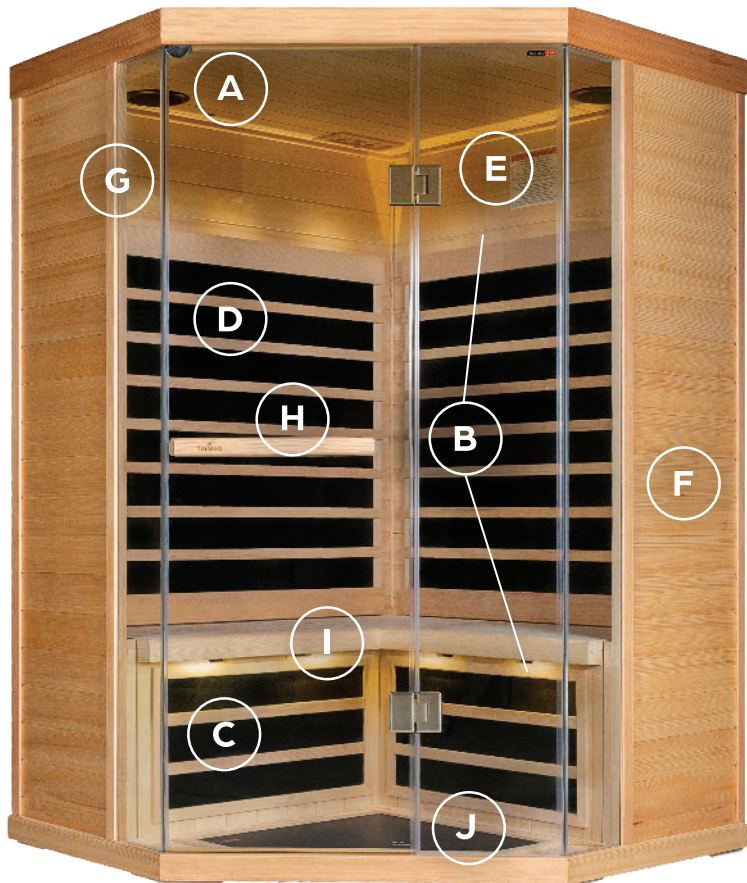


Corner Unit, 3-Person Portable Infrared Sauna

This innovative design is optimized for space efficiency, requiring a floorspace just over 4'x4' yet spacious enough for 2-3 people. Tuck this sauna into a corner and start soaking in the **infrared energy benefits**.



A. BLUETOOTH SOUND SYSTEM

Integral state-of-the-art sound with heat-resistant speakers. Just pair with your Bluetooth®-ready device.

B. ELEGANT LED LIGHTING

Great for relaxing and mood creation, with 6 color options.

C. FULL-SIZED CALF EMITTERS

For maximum lower extremity exposure to healthy far-infrared heat energy.

D. WALL-TO-WALL HEAT COVERAGE

No hot and cold spots here! Total immersion in the highest output of Low EMR & Low EF infrared heat energy in the industry.

E. INNOVATIVE GLASS FACE

Non-claustrophobic feel with a clean, contemporary look.

F. CANADIAN HEMLOCK INSIDE & OUT

Responsibly harvested sauna wood sealed with bio-friendly furniture grade finish.

G. IL2 CONTROL SYSTEM

The proprietary InfraLogic2 control is feature-rich and easy-to-use to set and schedule your sauna sessions. Extend control to your phone and operate your sauna from anywhere with the mobile app.

H. COMBINATION DOOR HANDLE

It's a door handle that doubles as a towel bar.

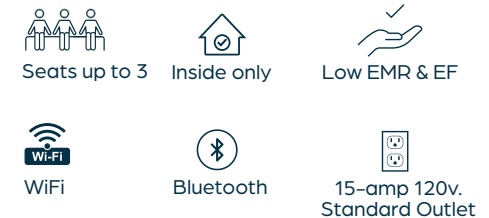
I. IN-BENCH FAR-INFRARED EMITTER

The only infrared sauna in the industry with this feature!

J. MATTE BLACK METALLIC FLOOR EMITTER

For complete head-to-toe comfort, rest your feet on the CarbonFlex™ far-infrared floor emitters.

SPECIFICATIONS



TECHNICAL

Dimensions: 51⁷/₈" W x 51⁷/₈" D x 76¹/₂" H

Weight: ~405 lbs.

Electrical: 15-amp 120 V standard outlet

CONSTRUCTION

Clear Canadian Hemlock construction

CarbonFlex™ Low EMR/Low EF heating system

"Pin-and-Hook" wall locking system

3" side and 5" overhead clearance required for installation

WARRANTY

IR Emitters: 5 years

Wood Cabinet: 5 years

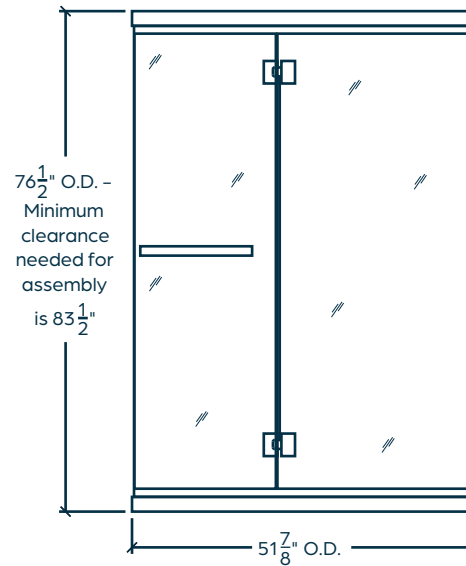
Controls: 5 years



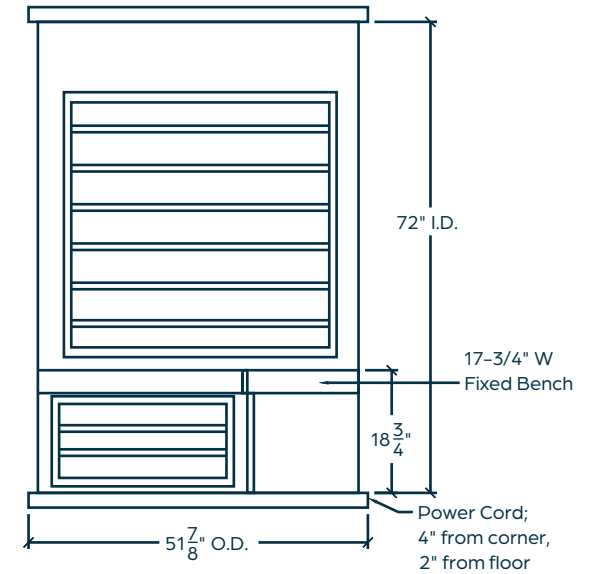
ETL Listed for Safety
Peace-of-mind for you and your loved ones.



EXTERIOR FRONT WALL

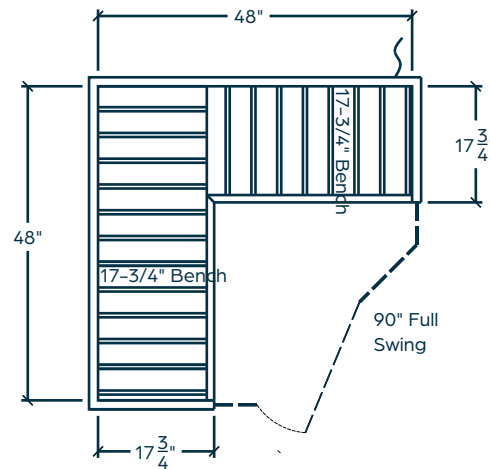


INTERIOR BACK LEFT WALL



TOP DOWN VIEW

(w/ Interior Measurements)



Notes:

Dealer Contact Information:

S-Series S-870

PORTABLE SAUNA

Version: V4
 Part Number: 9804-4470
 Heater Model: CarbonFlex IR
 Control Type: IL2 w/Wi-Fi
 Voltage: 120

Phase: 1
 Amps: 15
 Watts: 1710
 Ext. Wood: Canadian Hemlock
 Int. Wood: Canadian Hemlock

Cord Length: 6'
 Door Type: All-Glass, Clear
 Door Dimensions: 21 $\frac{5}{8}$ " x 70"
 SQ. Footage: 14.2
 CU. Footage: 85.2

Lighting Type: Under Bench/Valance
 Largest Panel Size: 51 $\frac{7}{8}$ " x 76 $\frac{1}{2}$ "
 Drawing Rev. Date: 5-28-2022
 Shipping Weight (Palletized): ~480 lbs.

*Finnleo / Sauna360 reserves the right to make changes to these measurements from time to time without notice.