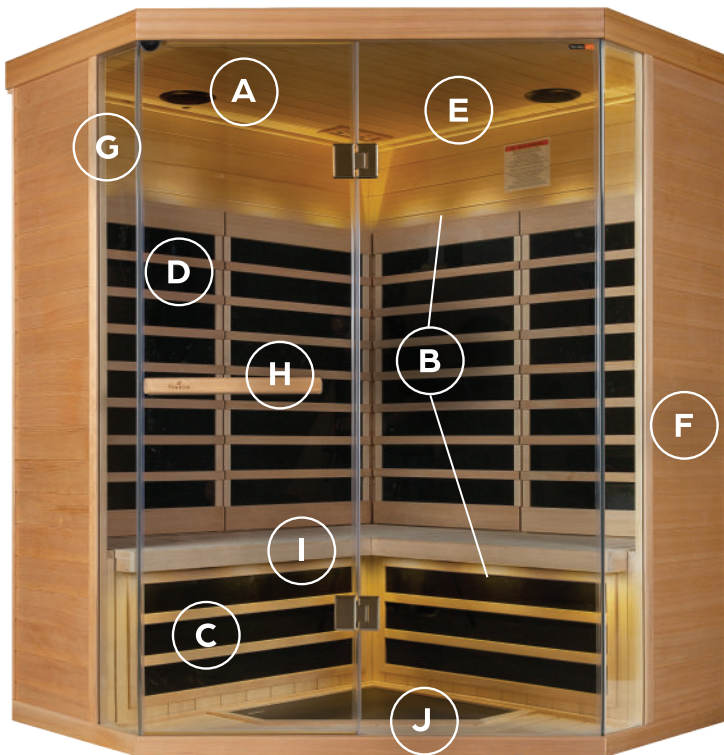


Corner Unit, 4-Person Portable Infrared Sauna

Our most luxurious model, the S-880 is a neo-angled beauty. A 3-sided all glass front gives the sauna panoramic openness. Comfortable seating for four, its L-bench design is ideal for intimate conversation with friends and family.



A. BLUETOOTH SOUND SYSTEM

Integral state-of-the-art sound with heat-resistant speakers. Just pair with your Bluetooth®-ready device.

B. ELEGANT LED LIGHTING

Great for relaxing and mood creation, with 6 color options.

C. FULL-SIZED CALF EMITTERS

For maximum lower extremity exposure to healthy far-infrared heat energy.

D. WALL-TO-WALL HEAT COVERAGE

No hot and cold spots here! Total immersion in the highest output of Low EMR & Low EF infrared heat energy in the industry.

E. INNOVATIVE GLASS FACE

Non-claustrophobic feel with a clean, contemporary look.

F. CANADIAN HEMLOCK INSIDE & OUT

Responsibly harvested sauna wood sealed with bio-friendly furniture grade finish.

G. IL2 CONTROL SYSTEM

The proprietary InfraLogic2 control is feature-rich and easy-to-use to set and schedule your sauna sessions. Extend control to your phone and operate your sauna from anywhere with the mobile app.

H. COMBINATION DOOR HANDLE

It's a door handle that doubles as a towel bar.







I. IN-BENCH FAR INFRARED EMITTER

The only infrared sauna in the industry with this feature!

J. MATTE BLACK METALLIC FLOOR EMITTER

For complete head-to-toe comfort, rest your feet on the CarbonFlex™ far-infrared floor emitters.

SPECIFICATIONS

 Seats up to 4	 Inside only	 Low EMR & EF
 WiFi	 Bluetooth	 20-amp 120v. Dedicated Outlet

TECHNICAL

Dimensions: 58^{5/8}" W x 58^{5/8}" D x 76^{1/2}" H

Weight: ~483 lbs.

Electrical: 20-amp 120 V standard outlet

CONSTRUCTION

Clear Canadian Hemlock construction

CarbonFlex™ Low EMR/Low EF heating system

"Pin-and-Hook" wall locking system

3" side and 5" overhead clearance required for installation

WARRANTY

IR Emitters: 5 years

Wood Cabinet: 5 years

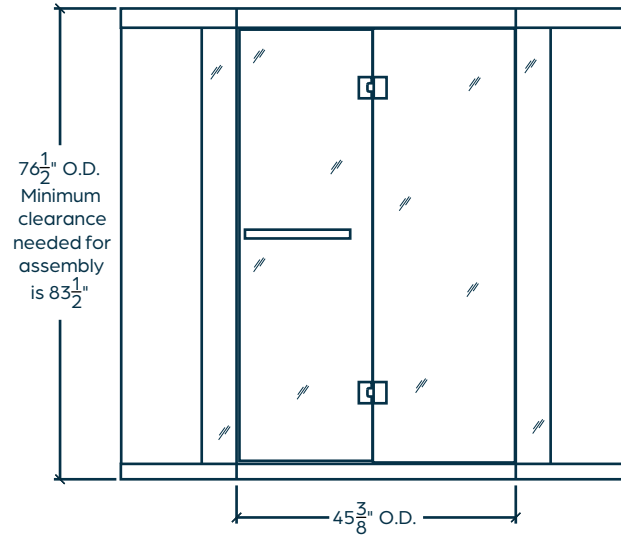
Controls: 5 years



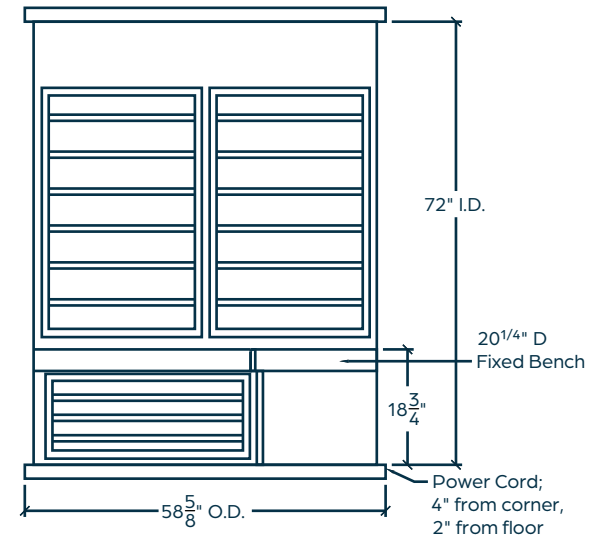
ETL Listed for Safety
Peace-of-mind for you and your loved ones.



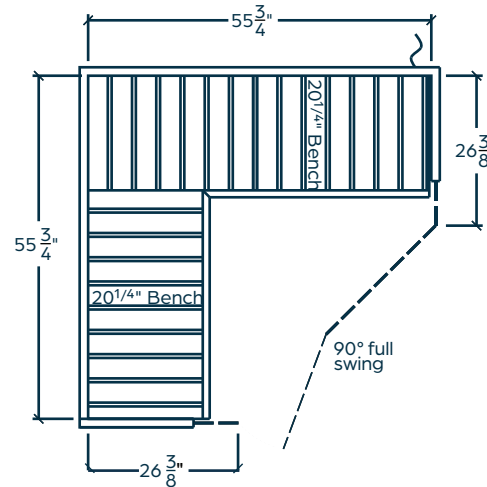
EXTERIOR FRONT WALL



INTERIOR BACK LEFT WALL



TOP DOWN VIEW
(w/ Interior Measurements)



Notes:

Dealer Contact Information:

S-Series S-880

PORTABLE SAUNA

Version: V4
 Part Number: 9804-4480
 Heater Model: CarbonFlex IR
 Control Type: IL2 w/Wi-Fi
 Voltage: 120

Phase: 1
 Amps: 20
 Watts: 2070
 Ext. Wood: Canadian Hemlock
 Int. Wood: Canadian Hemlock

Cord Length: 6'
 Door Type: All-Glass, Clear
 Door Dimensions: 21 $\frac{5}{8}$ " x 70"
 SQ. Footage: 18.3
 CU. Footage: 109.8

Lighting Type: Under Bench/Valance
 Largest Panel Size: 58 $\frac{5}{8}$ " x 76 $\frac{1}{2}$ "
 Drawing Rev. Date: 5-28-2022
 Shipping Weight (Palletized): ~558 lbs.

*Finnleo / Sauna360 reserves the right to make changes to these measurements from time to time without notice.